

Beamfix II

Ceiling mount for projectors

Item no.: 8650

The Beamfix II is a universal solution for mounting almost all commercially available projectors on the ceiling.

The ceiling mounting plate provides a stable hold to hold the projector ceiling mount securely and for a long time in position. The max. load is 10 kg.

Thanks to the flexibly adjustable mounting arms, you can reach every fastening point on the device to be installed.

The mounting arms can be varied between a minimum of Ø 80 mm and a maximum of Ø 500 mm.

The mount can be rotated by 360° via tools and can be tilted and swiveled by ±20°, which enables simple and precise alignment with the projection surface.

The surface of the ceiling mount is finished with an impact- and scratch-resistant powder coating in white.



multidimensionally adjustable thanks to the ball joint



extendable mounting arms



stable ceiling mounting plate

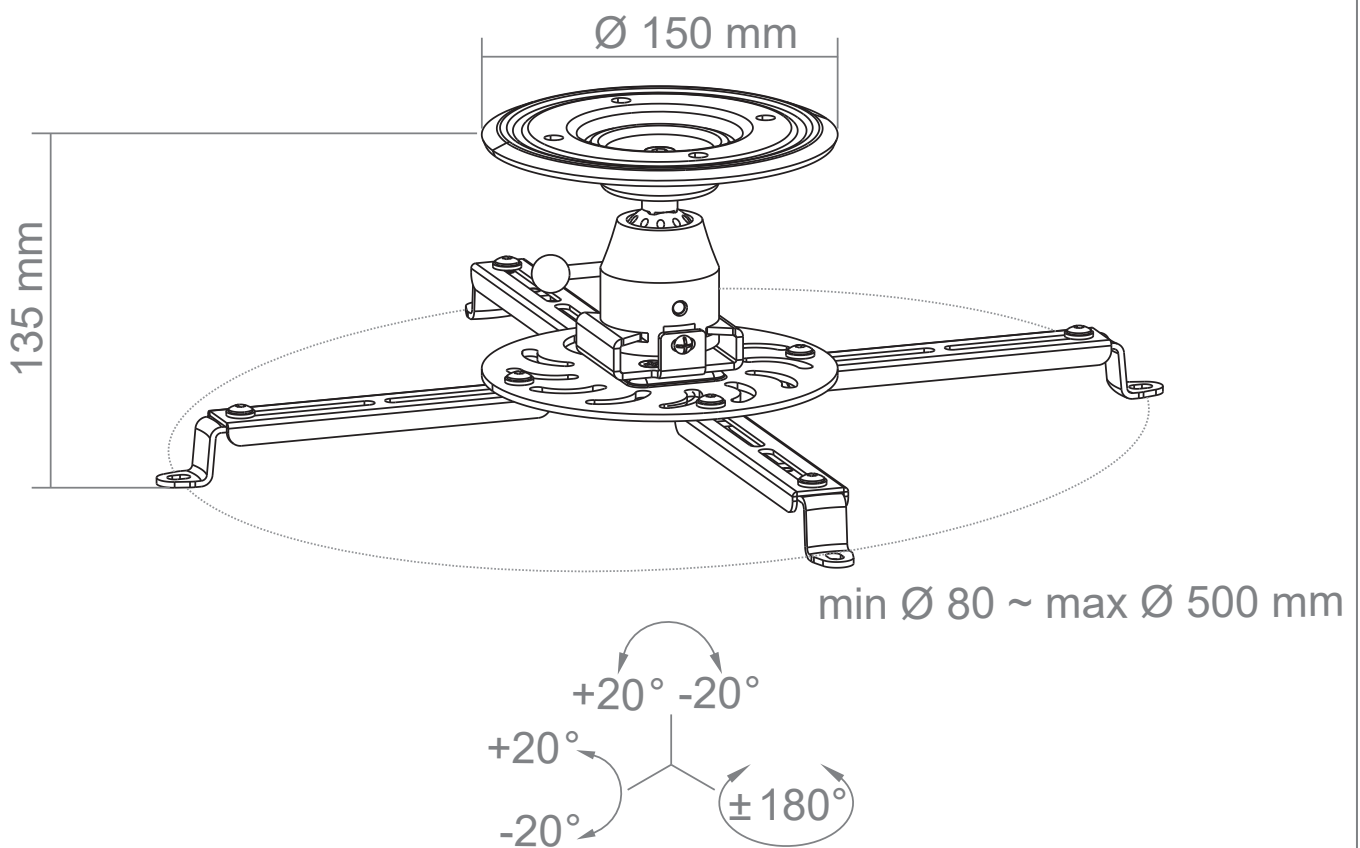
Technical changes reserved

Beamfix II

Ceiling mount for projectors

Item no.: 8650

- Universal ceiling mount for almost every commercially available projector models
- variable length mounting arms
Ø min. 80 to Ø max. 500 mm
- $\pm 20^\circ$ tiltable
- $\pm 20^\circ$ swivelling
- $\pm 180^\circ$ rotatable
- 135 mm ceiling distance
- 150 mm Ø ceiling mounting plate
- multidimensional adjustment thanks to the ball joint
- 10 kg max. load
- impact- and scratch-resistant powder coating
- colour: white
- incl. all fastening materials
- quick coupling for quick assembly and revision of the device, e.g. for inspection or cleaning



Technical changes reserved